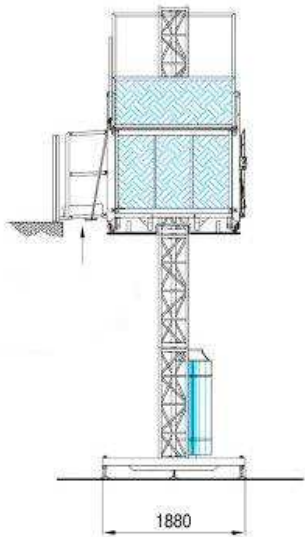


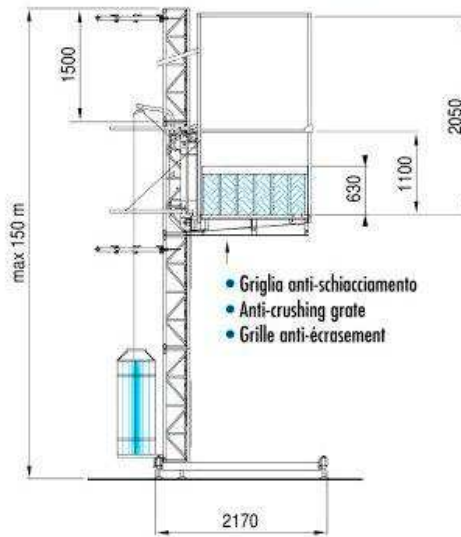
MB C 1000/150 Transport Platform



TECHNICAL DATA
Rated Capacity - 1000kg

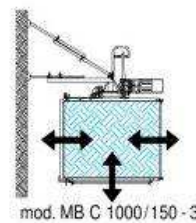
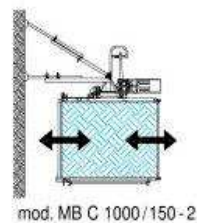
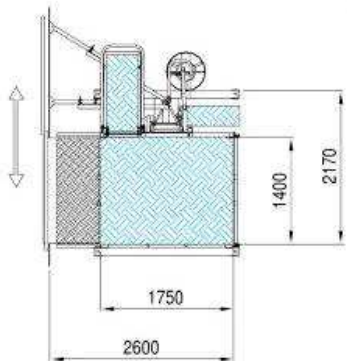
Power Requirements
3 Phase - 415 Volts
32 Amps, 50hz

Max Working Height - 120m
Max Tie Spacing - 6m



- Griglia anti-schiacciamento
- Anti-crushing grate
- Grille anti-écrasement

	1000 kg v=24 m/min
1 person icon	+ 900 kg v=12 m/min
2 person icons	+ 800 kg v=12 m/min
3 person icons	+ 700 kg v=12 m/min
4 person icons	+ 600 kg v=12 m/min
5 person icons	+ 500 kg v=12 m/min



Plantire Limited

36 - 38 Feltham Road, Ashford, Middlesex, TW15 1DH

Tel: 01784 247463 Fax: 01784247167 Email: info@plantire.com www.plantire.com

Registered in England No. 363180 VAT No. 209 5000 02 Plantire Limited is NQA ISO9002 registered