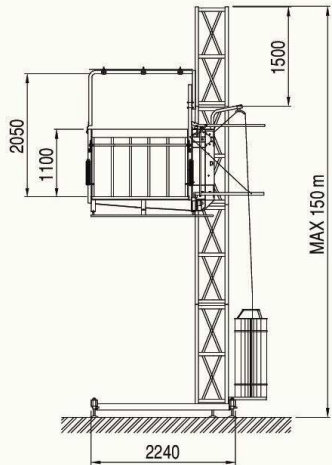


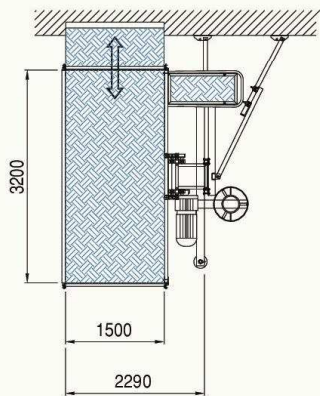
MB C 2000/150S Transport Platform



TECHNICAL DATA
 Rated Capacity - 2000kg

Power Requirements
 3 Phase - 415 Volt
 63 Amp, 50Hz

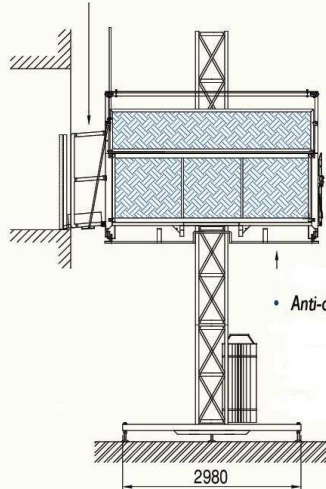
Maximum Working Height - 120m
 Max Tie Spacing - 6m



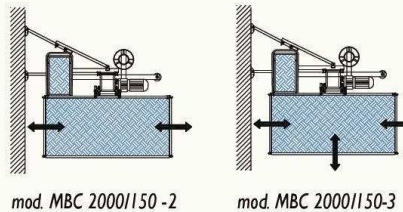
	S	SR
kg	m/min	m/min
2000	24	32

	+1900	12	12
	+1800		
	+1700		
	+1600		
	+1500		
	+1400		
	+1300		
	+1200		

• Unloading ramp with side protections



• Anti-crushing grate



Plantire Limited

36 - 38 Feltham Road, Ashford, Middlesex, TW15 1DH

Tel: 01784 247463 Fax: 01784247167 Email: info@plantire.com www.plantire.com

Registered in England No. 363180 VAT No. 209 5000 02 Plantire Limited is NQA ISO9002 registered